

TEW JR.™ SEEDER

The TEW Jr. Seeder is an affordable planter with a classic drill type planter design. These seeders are used to plant small to medium seeds, spaced closely together in a row. There are 3 steel seed discs included with 39 diff. size holes to plant with. These planters are used to plant crops like spinach, beets, carrots, lettuce, onions, cabbage & other close spaced crops. The seed hopper is removable for easy clean out. The TEW Jr. Seeder parts are 100% interchangeable with the Planet Jr. style seeders.



**Current Sale
Price \$ CALL**

TEW JR. SEEDER MODEL HH-SP LIST PRICE \$ 495.00

- * Rugged cast iron & steel construction for durability *
- * Spring-loaded scraper prevents build-up of dirt on press wheel *
- * Press wheel is just under 3 inches wide with concave design which firms the soil, leaving a loose zone directly over the seeds
 - * Adjustable floating coverer pulls dirt over the seeds *
 - * Seed flow is automatically cut-off when unit is lifted *
- * The floating hitch permits a 4" travel for each drill to allow it to independently follow the ground contours & grade
 - * Enclosed gear drive provides positive drive transfer *
 - * Soil opener shoe slices a clean furrow at consistent depth *
 - * Large capacity hopper is standard *
- * Large 3 inch wide front wheel levels the seed bed & provides steady drive to the hopper drive
- * Planting depth is set by a wing nut on the seed opener, no tools are needed *

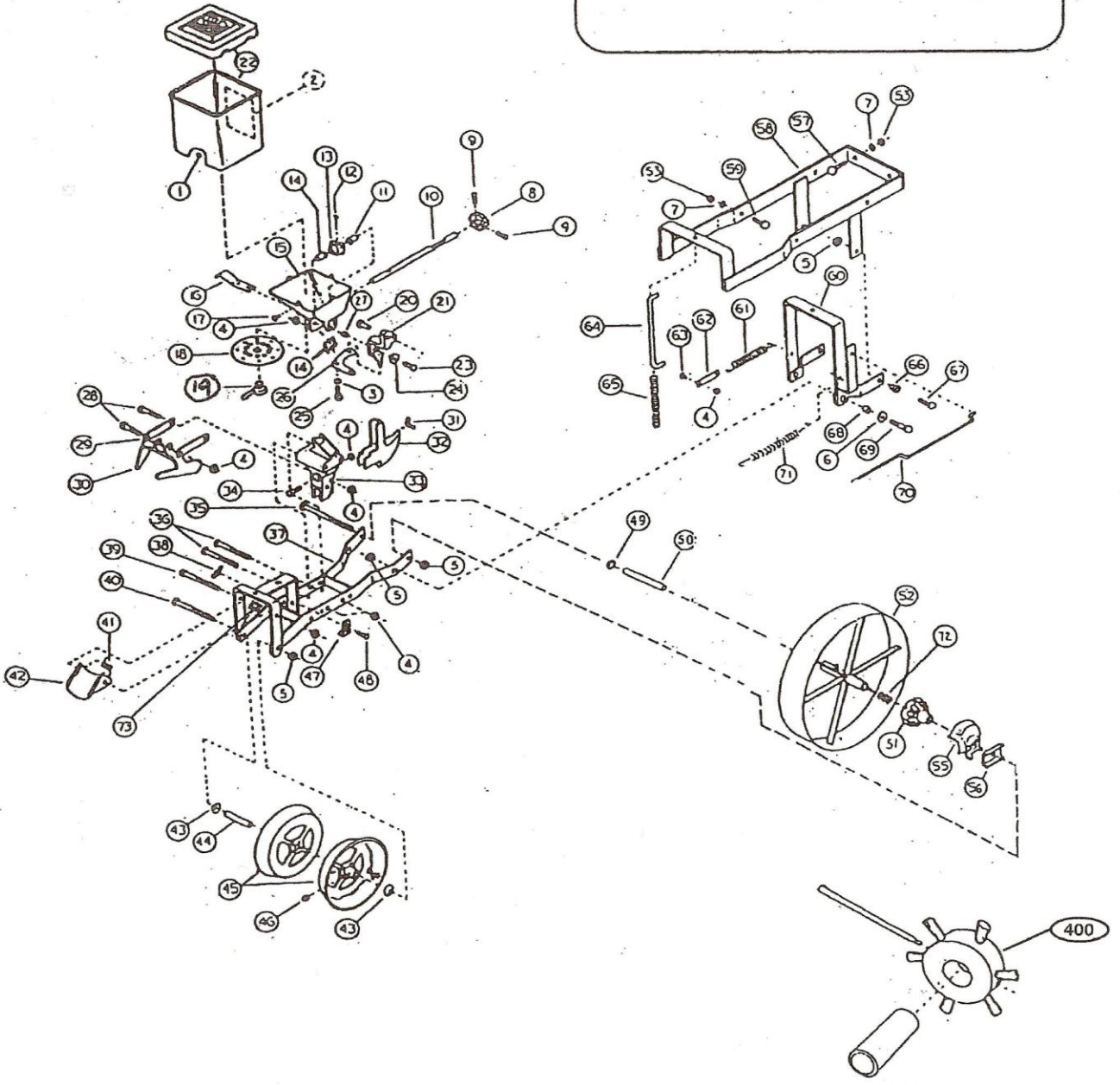
CALL TOLL FREE FOR MORE INFORMATION 1-800-380-5839

**TEW MANUFACTURING CORPORATION
PO BOX 87, PENFIELD, NY 14526**

TEL: 585-586-6120 - FAX: 585-586-6083 E MAIL tewmfg@aol.com

REPAIR PARTS

HH-SP Vegetable drill



TEW JR. PARTS LIST & LIST PRICES

DIAGRAM NUMBER	COLE PART #	TEW PART #	2014 ITEM DESCRIPTION	LIST PRICE
		HH-SP	PLANTER SMALL SEED TEW JR.	\$495.00
1	001-1047	GB95-85	WASHER, 1/8" (.312X.129X.030)	\$0.00
2	003-5598	HH-07-70	DECAL	N/A
3	001-1001	GB96-85	WASHER 1/4" ZP USS STD. WROUGHT (M6)	\$0.00
4	001-0054	GB6170-86	LOCKNUT, HEX 1/4" (M6)	\$0.00
5	001-0055	GB41-86	LOCKNUT, HEX 3/8" (M10)	\$0.00
6	001-1002	GB95-85	WASHER, FLAT 5/16" USS STD. WROUGHT (M8)	\$0.00
7	001-1254	GB93-87	WASHER, LOCK 1/2"	\$0.00
8	004-4605	HH-07-42	PINION GEAR	\$12.00
9	001-2751	GB821-85	SCEW , SET SQ. HD 1/4" X 1/2" (M6 X 10)	\$0.00
10	016-5000	HH-07-26	DRIVE SHAFT	\$18.00
11	P00-519A	HH-07-25	NYLON BUSHING 13/16" LONG	\$1.50
12	001-3352	GB91-86	COTTER PIN 1/8" X 1 1/4" (3.2 X 40)	\$1.00
13	P0K-817T	HH-07-24	PLASTIC FEED WHEEL (WAFFLE)	\$4.00
14	P00-520A	HH-07-23	NYLON BUSHING 1 5/16" LONG	\$1.50
15	P0K-717C	HH-07-13	ALUM. BASE FOR HOPPER	\$70.00
16	B00-6542-X	HH-07-14	SEED PLATE LATCH	\$6.00
17	001-3509	JB4005-85	RIVET, POP 1/8" X .400 LONG ALUM. (3X20)	\$0.00
18	P00-5458M	HH07-5458M	METAL SEED PLATE 1-13	\$16.00
18	P00-5459M	HH07-5459M	METAL SEED PLATE 14-26	\$16.00
18	P00-5460M	HH07-5460M	METAL SEED PLATE 27-39	\$16.00
18	B21-517	HH-07-126	SET OF 3 METAL SEED PLATES (1-13, 14-26, 27-39)	\$45.00
19	P0K-740	HH-07-20	CAM CASTING	\$8.00
20	P21-319	HH-07-57	CLEVIS PIN	\$5.00
21	P0K-719A	HH-07-28	SEED SHUT-OFF LEVER	\$7.00
22	P21-458	HH-07-11	HOPPER & LID ASSY. PLASTIC SQUARE	\$45.00
		HH-07-12	HOPPER, LID, BASE ASSY WITH SHAFT, BUSHINGS & SPKT.	\$175.00
23	001-2035N	GB5783-86	SCREW. HEX CAP 5/16" X 1 (M8X20)	\$0.00
24	001-1002	GB95-85	WASHER, FLAT 5/16" USS STD. WROUGHT (M8)	\$0.00
25	001-2004	GB5783-86	SCREW, CAP HH 1/4-20X3/4" (M6X20)	\$0.00
26	P00-5441	HH-07-27	SEED SHUT-OFF	\$3.00
27	P21-270	HH-07-29	BUSHING	\$1.50
28	001-2012	GB5782-86	SCREW, CAP HH 1/4-20NC X 2 1/2" (M6X55)	\$0.00
29	P00-5482	HH-07-60	ARM FOR COVER (2)	\$2.00
30	B00-6540-X	HH-07-59	SEED COVERER	\$10.00
31	001-0100	GB62-88	WING NUT 1/4-20 (M6)	\$1.00
32	BOK-712	HH-07-61	SHOE, DRILL STANDARD GP 0" X 1 1/2" DEEP	\$16.00
33	P0K-835	HH-07-22	SEED SPOUT	\$20.00
34	001-2554	GB794-88A	BOLT, CRG, 1/4-20NC X 1 1/2" (M6X50)	\$0.00
35	001-2616	GB794-88A	BOLT, CRG, 3/8-16NC X 7 (M10X175)	\$0.00
36	001-2565	GB794-88A	BOLT, CRG, 1/4-20NC X 4 1/2" (M6X110)	\$0.00
37	P21-272	HH-07-50	MAIN FRAME WELDMENT	\$60.00
38	001-0100	GB62-88	WING NUT, 1/4-20 (M6)	\$1.00
39	001-2020	GB5782-86	SCREW, CAP HH 1/4-20NC X 5" (M6X125)	\$0.00
40	001-2611	GB794-88A	BOLT, CRG, 3/8-16NC X 5" (M10X125)	\$0.00
41	P00-7207	HH-07-46	COIL SPRING	\$3.00
42	P00-5541	HH-07-45	SCRAPER	\$12.00
43	P00-3806	HH-07-04	CAP DUST	\$3.00

TEW JR. PARTS LIST & LIST PRICES

DIAGRAM NUMBER	COLE PART #	TEW PART #	2014 ITEM DESCRIPTION	LIST PRICE
44	P00-5473	HH-07-03	FERRULE, ROLLER	\$3.00
45	P0K-894	HH-07-02	REAR ROLLER CAST WHEEL (SET)	\$40.00
46	003-8523	JB/T7940.1-95	GREASE FITTING STRAIGHT 1/4" DRIVE	\$1.00
47	P00-5486	HH-07-58	STOP PIECE	\$1.95
48	001-2551	GB794-88A	BOLT, CRG, 1/4" X 3/4" (M6X20)	\$0.00
49	P00-3806	HH-07-04	DUST CAP	\$3.00
50	P00-4910	HH-07-44	WHEEL FERRULE	\$3.00
51	P0K-713C	HH-07-41	CAST WHEEL HUB	\$22.00
52	P21-234A	HH-07-35	DRIVE WHEEL WELD ASSY FOR IRON HUB	\$65.00
53	B06-533X-A	HH-07-38	KIT, DRIVE WHEEL	N/A
54	001-0009	GB6170-86	NUT, HEX 1/2-13 (M12)	\$0.00
55	P0K-721C	HH-07-39	GEAR COVER	\$18.00
56	P21-298	HH-07-43	SPACER	\$4.00
57	001-2121	GB5783-86	SCREW, CAP HH 1/2-13NC X 1 1/2" (M12X40)	\$0.00
58	P21-278	HH-07-05	WELDMENT, FLOATING HITCH	\$90.00
59	001-2119	GB5783-86	SCREW, CAP HH 1/2-13NC X 1" (M12X25)	\$0.00
60	P09-179X-A	HH-07-30	BALL AND LINK WELD ASSY.	\$60.00
61	P00-5587	HH-07-63	COIL SPRING	\$8.00
62	P21-301	HH-07-62	TENSION SPRING ADJUSTER	\$2.00
63	001-2551	GB794-88A	BOLT, CRG, 1/4" X 3/4" (M6X20)	\$0.00
64	P21-284	HH-07-48	SPRING GUIDE PIN	\$6.00
65	P21-152	HH-07-49	COIL SPRING	\$3.00
66	P0T-227	HH-07-66	FERRULE	\$3.00
67	001-2066	GB5782-86	SCREW, CAP HH 3/8-16NC X 1 1/4" (M10X35)	\$0.00
68	PSD-42	HH-07-65	45/64" X13/32"X21/32" HARDENED BUSHING	\$4.00
69	001-2067	GB5782-86	MACHINE BOLT, 3/8" X 1 1/2" (M10X40)	\$0.00
70	P21-288	HH-07-56	SEED SHUT-OFF ARM	\$5.00
71	P21-289	HH-07-64	COIL SPRING	\$10.00
72	003-8808	HH-07-40	SPRING	\$6.00

OPTIONAL BRUSH HOPPER AGITATORS

400	B10-039X	HH07-400	BRUSH FEED WHEEL ASSY. FOR SINGLE HOPPER	\$16.00
-----	----------	----------	--	---------

OPTIONAL SHOES, DRILLS

	B0K-762	HH-07-762	SHOE, DRILL SHALLOW UPLAND 0"-1 1/2" HARD SOIL	\$16.00
	B0K-783	HH07-783	SHOE, DRILL 2" WIDE SCATTER 0"-1 1/2"	\$16.00
	B0K-769	HH07-769	SHOE, DRILL 4" WIDE SCATTER 0"-1 1/2"	\$16.00

MOUNTS, HITCHES & TOOL BARS

	B21-259	HH07-150A	SP MOUNT FOR 2 1/2" CORNER TOOL BAR	\$100.00
	B46-664A	HH08-88	3 POINT HITCH CAT 1, 12MX, LP	\$100.00
	B46-679	HH08-129	TOOL BAR WITH CAT 1 HITCH, 80" WIDE, 2 1/2" SQ. CORNER	\$300.00
	B46-680	HH08-130	TOOL BAR WITH CAT 1 HITCH, 144" WIDE, 2 1/2" SQ. CORNER	\$400.00